

THE DERMATIC® GUN IS PROVIDED IN ITS SUITCASE CONTAINING:

- 20 Full DERMATIC® kits :
catheter + single use guide + needle
- 20 syringes 10ml single use
- 1 adapter for 10 ml syringe
- 1 charger
- 1 black spiral hose
- 1 power chord (2 meters)

A small compressor that is easy to carry and to use is also available for an additional cost.



Euromi S.A. is a Belgian company specialized in the manufacturing and the distribution of medical aesthetics products, plastic surgery and dermatological equipment.

Founded in 1990, the company has been developing its experience in this sector for 25 years.

The company is active worldwide in 50 countries mostly through distributors and is constantly seeking for new markets to enter. It is ISO: 13485 certified.

Euromi S.A. offers its products while always targeting the same goal: the safety of the patients and the total satisfaction of the customer.

YOUR DISTRIBUTOR:

This document is intended for health professionals. Please read the user manual carefully.



Zoning Industriel des Plenneses
11 rue des Nouvelles Technologies - 4821 Andrimont (BELGIUM)
Tel.: +32(0) 87 29 22 22 - Fax: +32(0) 87 29 22 23
info@euromi.com - www.euromi.com



The DERMATIC®

YOUR PERFECT
TOOL COMBINING
PRECISION AND
EFFICIENCY FOR
MESOTHERAPY

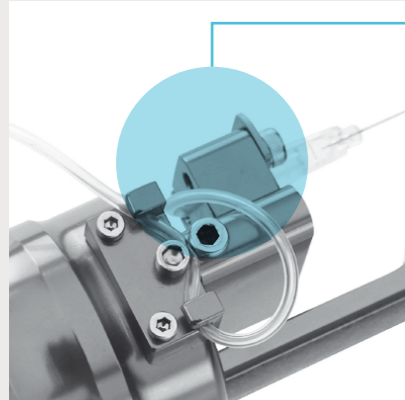


PL-DERMA-PROV1.EN • 2018 10

www.euromi.com

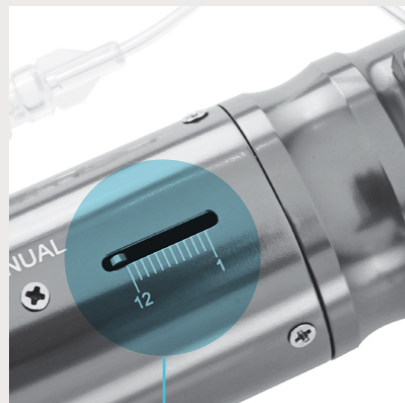


IN ORDER TO PROVIDE THE PRACTITIONER THE MOST PRECISE AND EFFECTIVE TOOL AND TO ENSURE A PAINLESS TREATMENT TO THE PATIENT, EUROMI HAS DEVELOPED MESOTHERAPY GUN: THE DERMATIC®



CLAMPING SYSTEM

Allows the gun to provide the required quantity of liquid only when the needle is inside the skin. In fact, the catheter (placed between the syringe and the needle) providing mesotherapy liquid remains clamped (blocked) until the needle is inserted into the epidermis. This ensures no loss of product.



ADJUSTMENT OF THE NEEDLE PENETRATION

There is an adjustment of the needle penetration which ensures a constant safety.

GUIDE
Brings a good stability when the gun is on the skin.



HIGH SPEED INJECTION AND PAINLESS TREATMENT

Thanks to the use of very thin needles and the use of compressed air.

DEPTH OF INJECTION SETTING

SPEED OF BURST SETTING

INJECTED QUANTITY SETTING

Reproducibility of the active product is ensured.

PRINCIPLE

The DERMATIC® technique consists of using compressed air to provide a high injection speed. This ensures a painless treatment for the patient with a very high precision for the practitioner.

INDICATIONS

The DERMATIC® is indicated for:

- aesthetic procedures (mesolift, cellulite)
- dermatological procedures (fibrous scars, hair loss)
- rheumatologic, spinal pathologies
- sport traumas (tendonitis, pulled muscle)
- blood circulation troubles...

2 MODES AVAILABLE
manual or automatic



ANY TYPE OF SYRINGES

A syringe adapter enables the use of any size of syringes: 1ml - 2ml - 5ml - 10ml.

RESULTS

The use of the DERMATIC® can immediately relieve pain or treat the desired area more quickly. The quantity of active products used is greatly reduced.

ADVANTAGES

FOR THE PRACTITIONER

- Good ergonomics of the gun
- Good autonomy of the battery
- No loss of product
- Ensured reproducibility

- Control of the quantity injected
- Consistent safety
- Easy setting of parameters

FOR THE PATIENT

- Comfort
- Pain minimized
- Ensured reproducibility
- Consistent safety